

Encoder

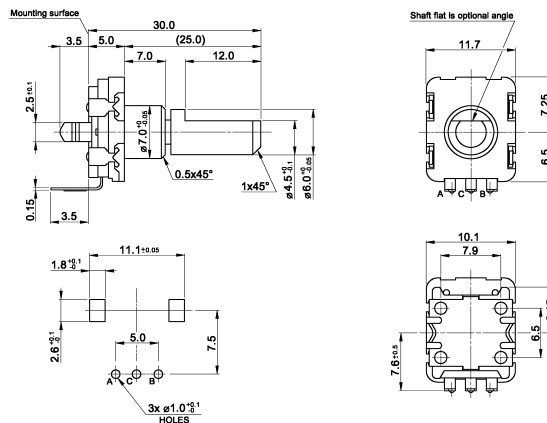


Specifications:

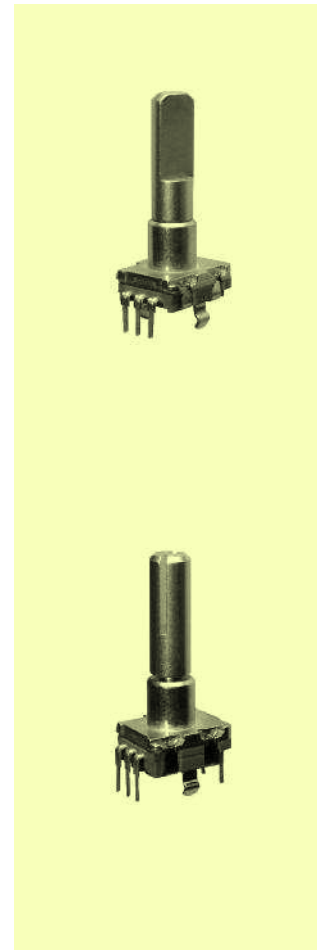
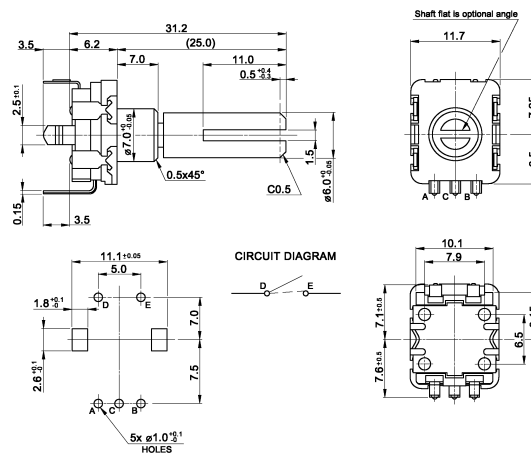
Contact rating:	5 V DC, 10 mA
Insulation resistance:	> 100 MΩ
Dielectric strength:	300 V, 50 Hz for the duration of 1 minute
Operating temperature:	-10 °C to +85°C
Rotational/Detent torque:	0.5/1.2 Ncm
Mechanical life:	> 15 000 cycles
Pushbutton (optional):	actuation force 6 N, travel 0.5 mm, life > 25 000 operations
Contacts:	silver-plated
Terminals:	silver-plated
Mounting:	on pc-board
	single hole mounting, bushing M 7 x 0.75
Soldering conditions:	wave-soldering – max.: 5 sec, 260 °C

Models:

MER11-15125B



MERP11-15325B

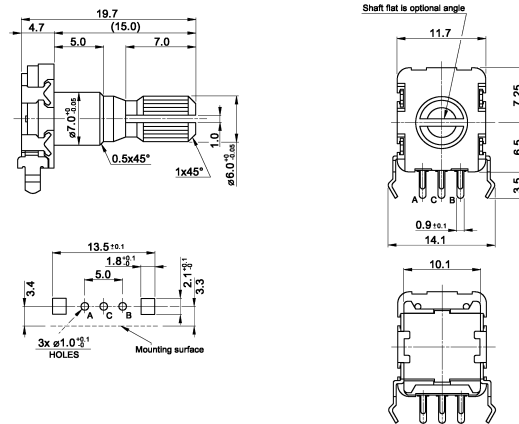


10

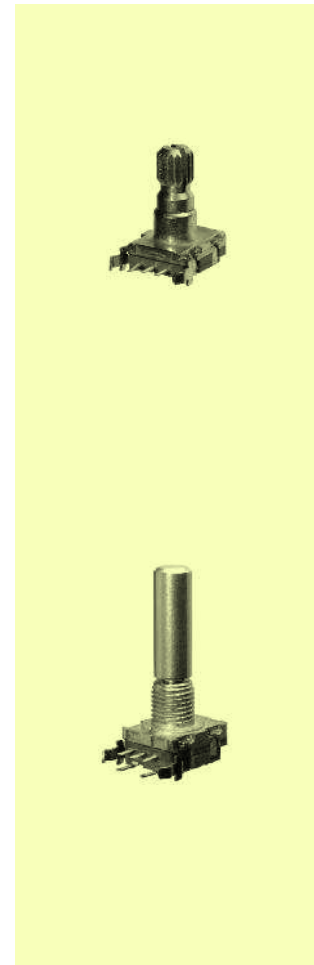
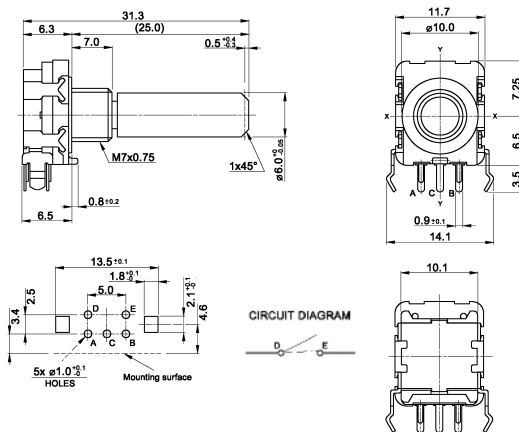


Models:

MER11-15215A-R



MERP11-20425BM7-R



Output signal format:

Shaft rotational direction	Signal	Output
C.W.	Terminal A-C	OFF ON
	Terminal B-C	OFF ON
C.C.W.	Terminal A-C	OFF ON
	Terminal B-C	OFF ON

Ordering code 11 mm Encoder:

MER 11 - -

Pushbutton:
 without
 with

Number of pulses:
 08 8 pulses, 16 detents
 08N 8 pulses, no detents
 15 15 pulses, 30 detents
 15N 15 pulses, no detents
 16 16 pulses, 16 detents
 16N 16 pulses, no detents
 20 20 pulses, 20 detents
 20N 20 pulses, no detents

Shaft type:
 1 flat
 2 knurled
 3 cut
 4 round

Shaft length:
 15 15 mm
 17.5 17.5 mm
 20 20 mm
 25 25 mm

Bushing height:
 A 5 mm
 B 7 mm

Thread:
 M7 M7
 no thread

Shaft orientation:
 R horizontal
 vertical

Travel (only for "P"):
 0.5 mm
 1.5 mm